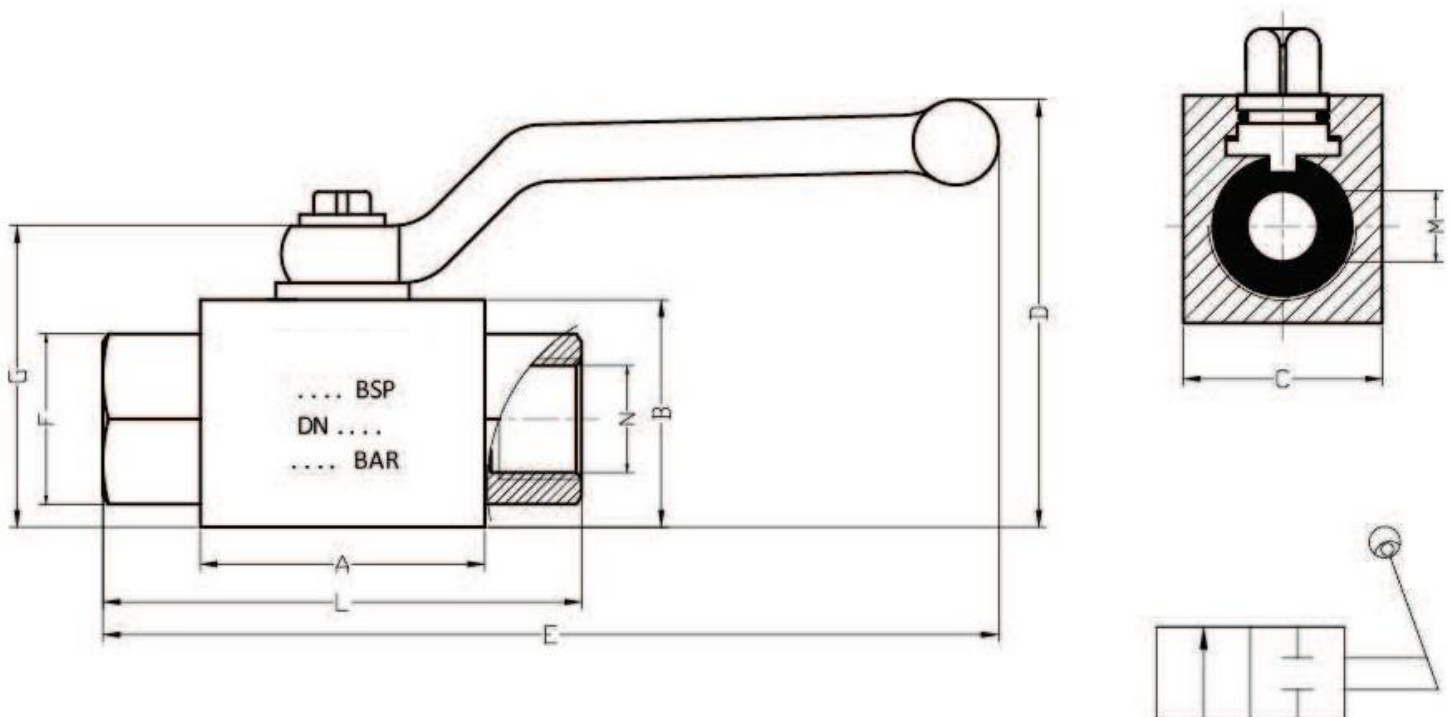


BALL VALVES – 2 WAYS / 3 WAYS

Body Material	Carbon steel
Ball Material	Hard chrome coated carbon steel.
Thread Size	BSP, NPT
Ball Seats	Delrin (POM)
Sealing	Nitrile O-ring (NBR)
Working Temperature	-30 °C and +110 °C
Plating	Zinc Plating (Cr III Passivation)
Upon Request	VITON
Applications	Excavators, plastic injection mould machines, chemical processing plants, cranes, tankers, dump trucks and general hydraulic applications

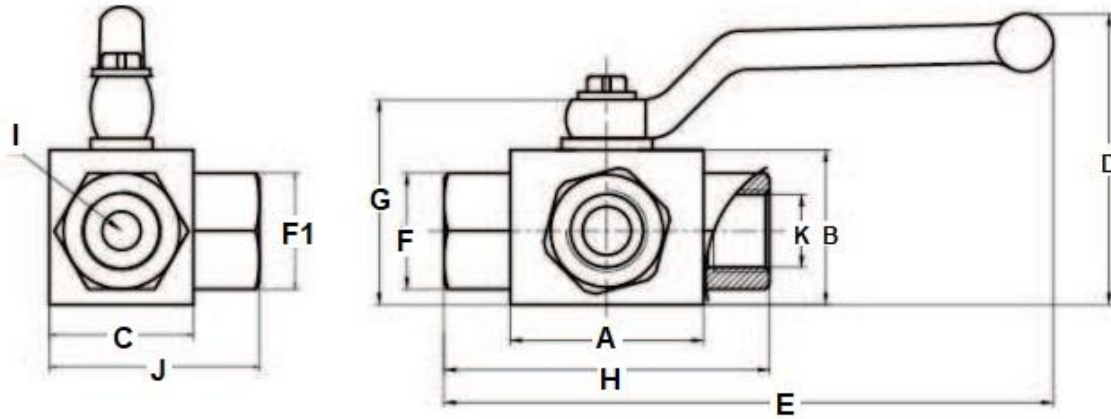
2 WAYS BALL VALVE



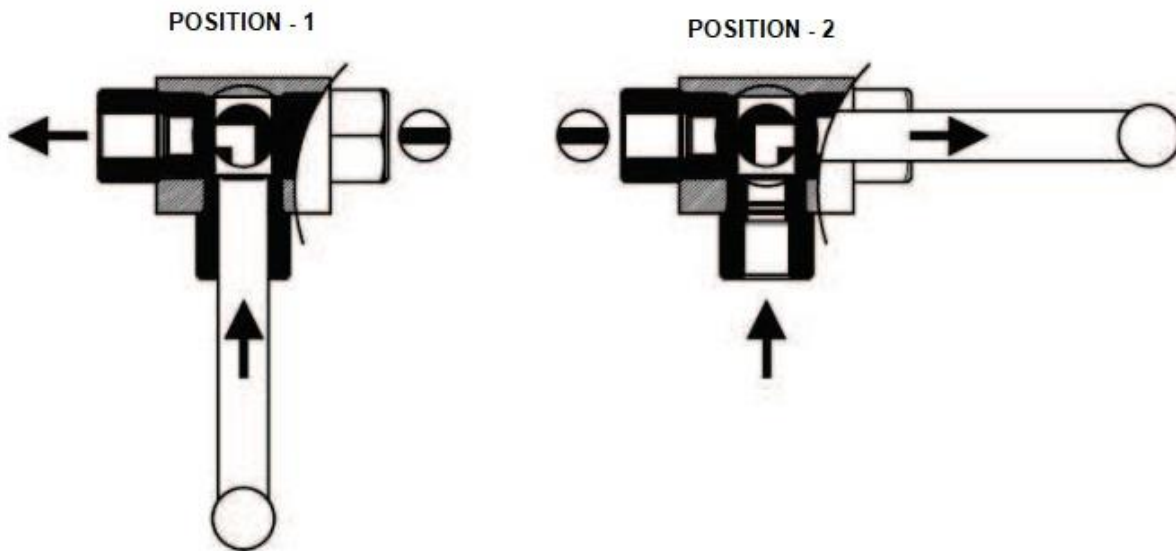
Technical Specifications

CODE	Thread Size - N	Working Pressure - Bar	Dimensions - mm									
			A	B	C	D	E	F	G	L	M	
T14-2-0001	1/4" BSP	500	45	35	30	77	142	24	48	75	DN10	
T14-2-0002	3/8" BSP	500	45	35	30	77	142	24	48	75	DN10	
T14-2-0003	1/2" BSP	500	50	40	35	82	147	30	53,50	84	DN13	
T14-2-0004	3/4" BSP	400	60	55	45	111	221	38	73	96	DN20	
T14-2-0005	1" BSP	400	70	60	55	116	235	46	78	118	DN25	

3 WAYS BALL VALVE



L TYPE



Technical Specifications

CODE	Thread Size - K	Working Pressure - Bar	Dimensions - mm										
			A	B	C	D	E	F	F1	G	H	I	J
T14-2-0060	1/4" BSP	500	45	35	35	77	145	AA24	AA24	48,50	75	DN 10	52
T14-2-0061	3/8" BSP	500	45	35	35	77	145	AA24	AA24	48,50	75	DN 10	52
T14-2-0062	1/2" BSP	500	50	40	40	82	150	AA30	AA30	53,50	84	DN 13	60
T14-2-0063	3/4" BSP	400	60	55	55	111	225	AA38	AA38	73	96	DN 20	76
T14-2-0064	1" BSP	400	70	60	60	116	235	AA46	AA46	78	118	DN 25	85